



SIONYX

OPSIN

DNVM1

QUICK START GUIDE

INCLUDED OPSIN | Eye Cup | Eye Bumper | Swing Arm
Battery | Battery Charger with International Plug Adapters
Power Cable | Adjustment Tool Kit | MOLLE Carry Bag
Helmet Mounting Kit

REGISTER YOUR DEVICE

Register your device and stay up to date by visiting the URL or scanning the QR code below.



www.sionyx.com/register

NEED HELP?

ONLINE CHAT	www.sionyx.com
SUBMIT A TICKET	www.sionyx.com/contact
24/7 SUPPORT	www.support.sionyx.com

FOLLOW US

Share your SIONYX content and be sure to tag us!



PARTS LEGEND

OPSIN

A	Lens
B	Lens Cap
C	Lens Focus
D	SD Card Compartment Cover
E	Camera Power Connector
F	Mini Rail
G	Eyepiece
H	Eyepiece Focus
I	Eyepiece Bumper
J	Eyecup
K	Power Switch + Screen Brightness Control
L	Front Button
M	Center / OK Button
N	Rear Button

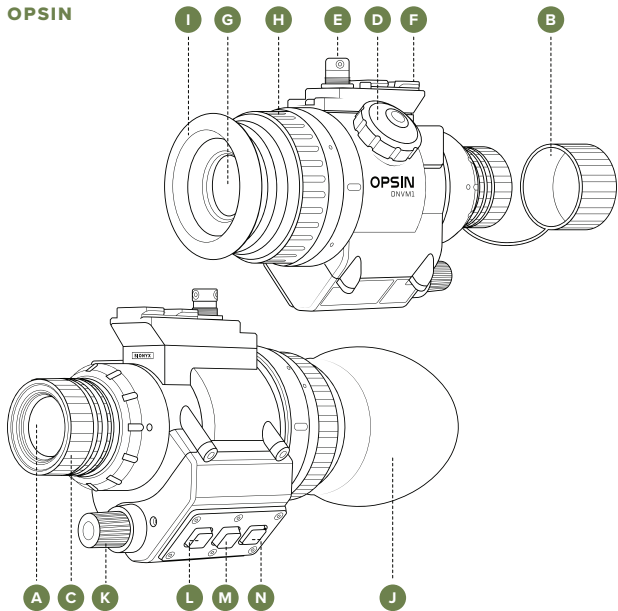
SWING ARM

O	Quick Release Lock Screw
P	Quick Release Button
Q	Adjustment Screw
R	Dovetail Rail

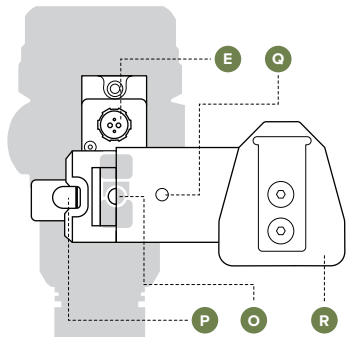
BATTERY

S	Power Connector
T	Battery Level Button
U	Battery Level Indicator LED
V	Camera Cable Connector
W	Battery Cable Connector
X	AC Battery Charger
Y	AC Battery Charger Adapter Kit

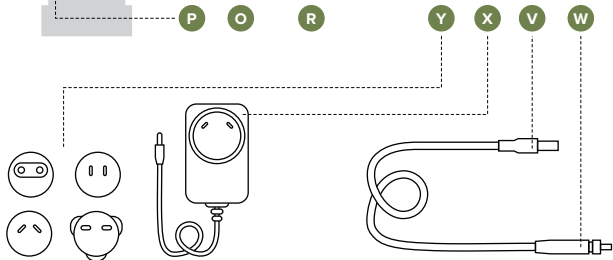
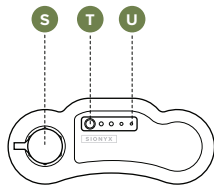
OPSIN



SWING ARM



BATTERY

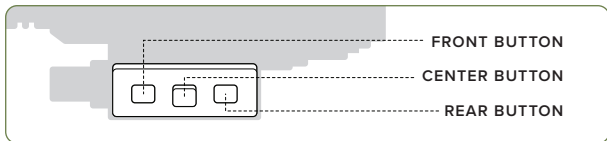


BASIC BUTTON FUNCTIONALITY

BUTTON	SHORT PRESS	LONG PRESS
FRONT	Take Still Image	Start / Stop Video Recording
CENTER	Zoom (1x - 2x -3x)	Enter General Settings Menu
REAR	Adjust Exposure Value (EV)	Adjust Refresh Rate (FPS)

CAPTURE / GENERAL MENU BUTTON FUNCTIONALITY

BUTTON	SHORT PRESS	LONG PRESS
FRONT	Focus on Previous Menu Item	-
CENTER	If no submenu exists: Set Current Value If submenu exists: Go To Next Submenu Level	Exit Settings
REAR	Focus on Next Menu Item	-



CHARGE BATTERY PACK

- 1 Select proper AC adapter and attach to battery charger.
- 2 Plug battery charger into battery.
- 3 Plug in AC adapter to electrical outlet.
- 4 Charge the battery until the LED indicator turns green, indicating full charge.

CONNECT BATTERY TO CAMERA

- 1 Insert the barrel connector into the battery receiver.
- 2 Turn the screw collar finger tight.
- 3 Align the witness mark on the cable with the witness mark on OPSIN.
- 4 To disconnect the power cable, pull up on the connector metal collar.

ASSEMBLE SWING ARM

- 1 Assemble appropriate flip mount, mating the connector if necessary.
- 2 Align the mini rail receiver of the swing arm to the mini rail on OPSIN.
- 3 Depress lever on the swing arm and slide straight back until the arm locks into place.
- 4 Use the set screw to adjust interpupillary distance as needed.
- 5 To remove the swing arm from OPSIN, press the quick release button and slide swing arm off.

POWER CAMERA ON

- 1 Connect camera to the battery pack.
- 2 Turn the power switch counter-clockwise (past click) to power the camera on.
- 3 Continue turning switch to adjust viewfinder brightness.
- 4 Turn the power switch clockwise (past click) to power camera off.

ADJUST FOCUS + DIOPTR

- 1 Turn the diopter adjustment to focus the viewfinder until the on-screen menu appears sharp.
- 2 Turn the lens focus to optimize the image sharpness of the scene.

WARNING

Failure to properly set up, use, and care for this product can increase the risk of serious injury, death, property damage, or damage to the product or related accessories. Exercise caution when using a SIONYX product as part of your active lifestyle. Always be aware of your surroundings to avoid injury to yourself and others.

- 1 Product shall be used in accordance with all manufacturing instruction and limits.
- 2 Read all provided documentation, and keep it for future reference.
- 3 Follow all instructions and heed all warnings.
- 4 Properly install, use, and maintain all power and data cable as per manufacturing specification.
- 5 Only use attachments and accessories specified and/or approved by SIONYX.
- 6 SIONYX OPSIN is designed to be serviced only by qualified service personal. Visit [SIONYX.com](https://www.sionyx.com) for more information.
- 7 Use, maintain, and store battery in accordance with manufacturing instructions.

All product, product specification, and data are subject to change without notice to improve reliability, function, design, or otherwise. Visit [SIONYX.COM](https://www.sionyx.com) for up-to-date documentation.

THIS IS SIONYX.

We believe that human endeavor should not be limited by daylight.
In the darkness of night, greatness is possible. Adventure enabled.
And a full sense of all sight achievable, no matter the light.

FULL USER MANUAL

Aim your cellphone camera at the QR code
to download the full OPSIN User Manual.



EN Full Documentation
FR Documentation Complète
IT Documentazione Completa
SP Documentación Completa
DE Vollständige Dokumentation